

SECTION THROUGH PORT CENTRE HULL



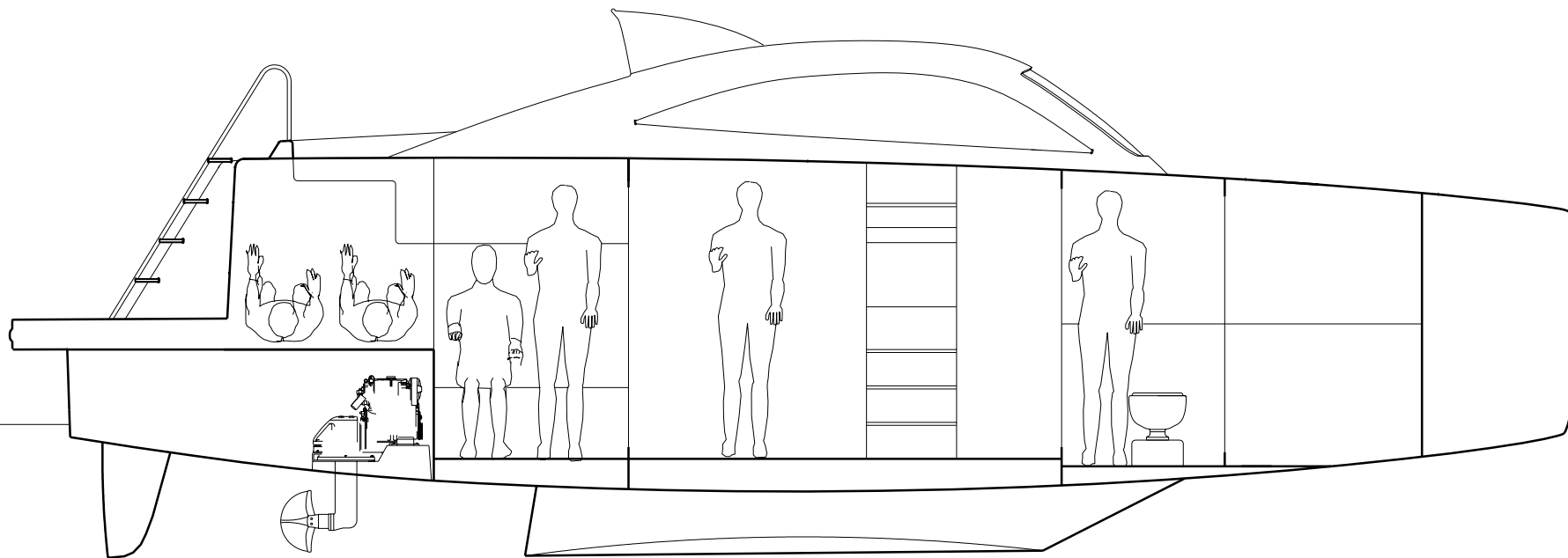
DAZCAT
COPYRIGHT 2004

FOSS QUARRY MILLBROOK TORPOINT
CORNWALL PL10 1EN TEL 01752 823129
www.multimarine.co.uk info@multimarine.co.uk

SCALE NTS
DWG NO 02-2
DRAWN DR

PROJECT DAZCAT D1040 CATAMARAN
DATE 1/11/04
DRAWING LONG SECTION PORT

LENGTH 10.43M
BEAM C/L
BEAM OA 4.5M



SECTION THROUGH STARBOARD CENTRE HULL



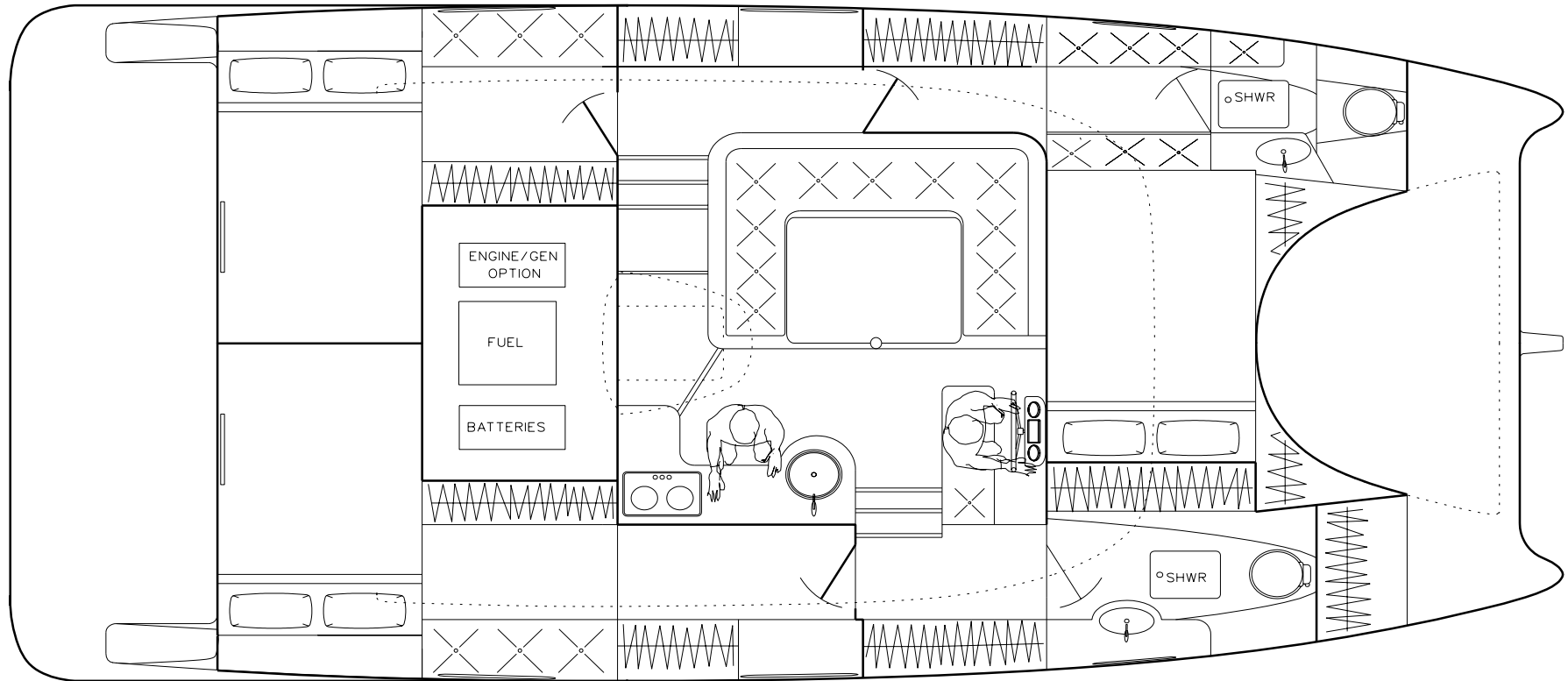
DAZCAT
COPYRIGHT 2004

FOSS QUARRY MILLBROOK TORPOINT
CORNWALL PL10 1EN TEL 01752 823129
www.multimarine.co.uk info@multimarine.co.uk

SCALE NTS
DWG NO 02-2
DRAWN DR

PROJECT DAZCAT D1040 CATAMARAN
DATE 1/11/04
DRAWING LONG SECTION STB

LENGTH 10.43M
BEAM C/L
BEAM OA 4.5M



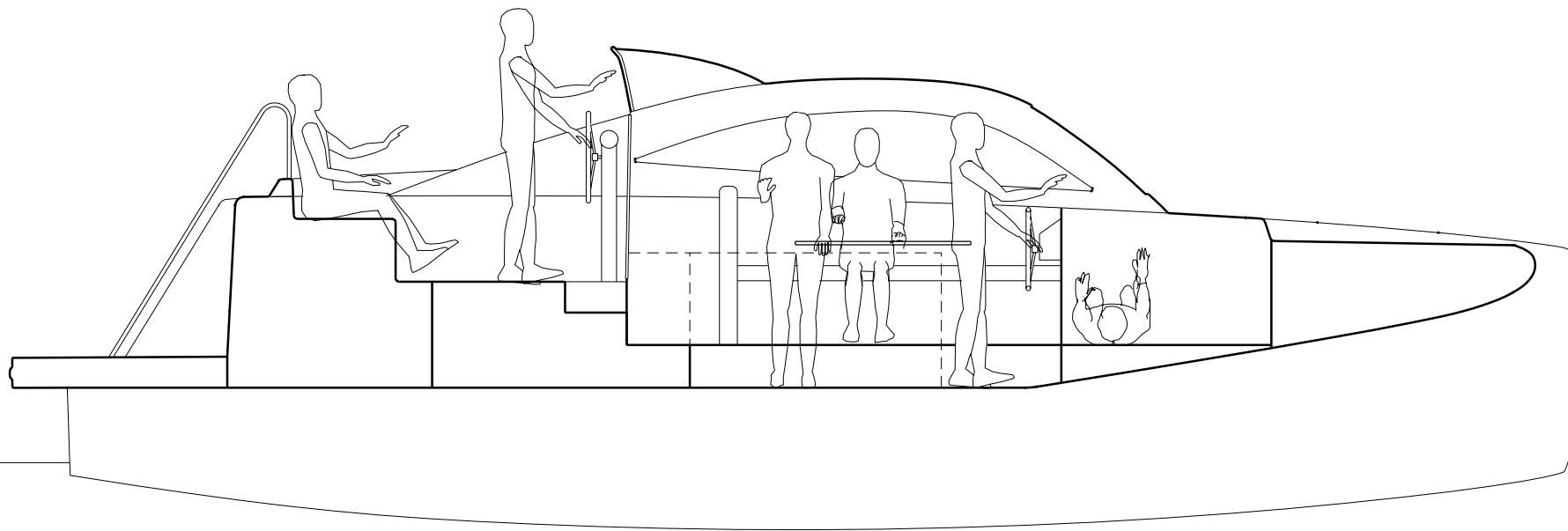
DAZCAT
COPYRIGHT 2004

FOSS QUARRY MILLBROOK TORPOINT
CORNWALL PL10 1EN TEL 01752 823129
www.multimarine.co.uk info@multimarine.co.uk

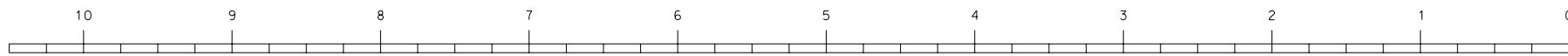
SCALE NTS
DWG NO 04
DRAWN DR

PROJECT DAZCAT D1040 CATAMARAN
DATE 1/11/04
DRAWING INTERIOR PLAN

LENGTH 10.43M
BEAM C/L
BEAM OA 4.5M



SECTION THROUGH CENTRE BRIDGEDECK



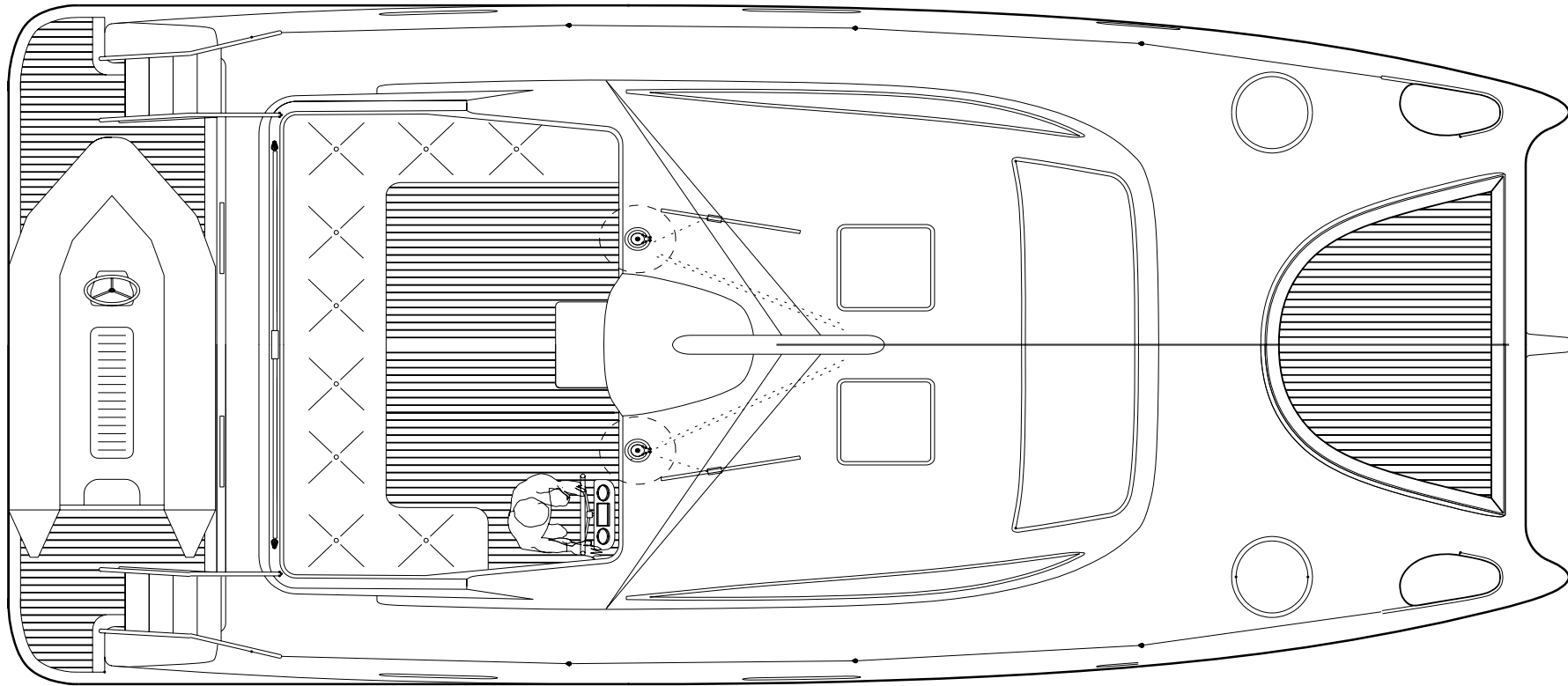
DAZCAT
COPYRIGHT 2004

FOSS QUARRY MILLBROOK TORPOINT
CORNWALL PL10 1EN TEL 01752 823129
www.multimarine.co.uk info@multimarine.co.uk

SCALE NTS
DWG NO 02-1
DRAWN DR

PROJECT DAZCAT D1040 CATAMARAN
DATE 1/11/04
DRAWING CENTRELINE SECTION

LENGTH 10.43M
BEAM C/L
BEAM OA 4.5M



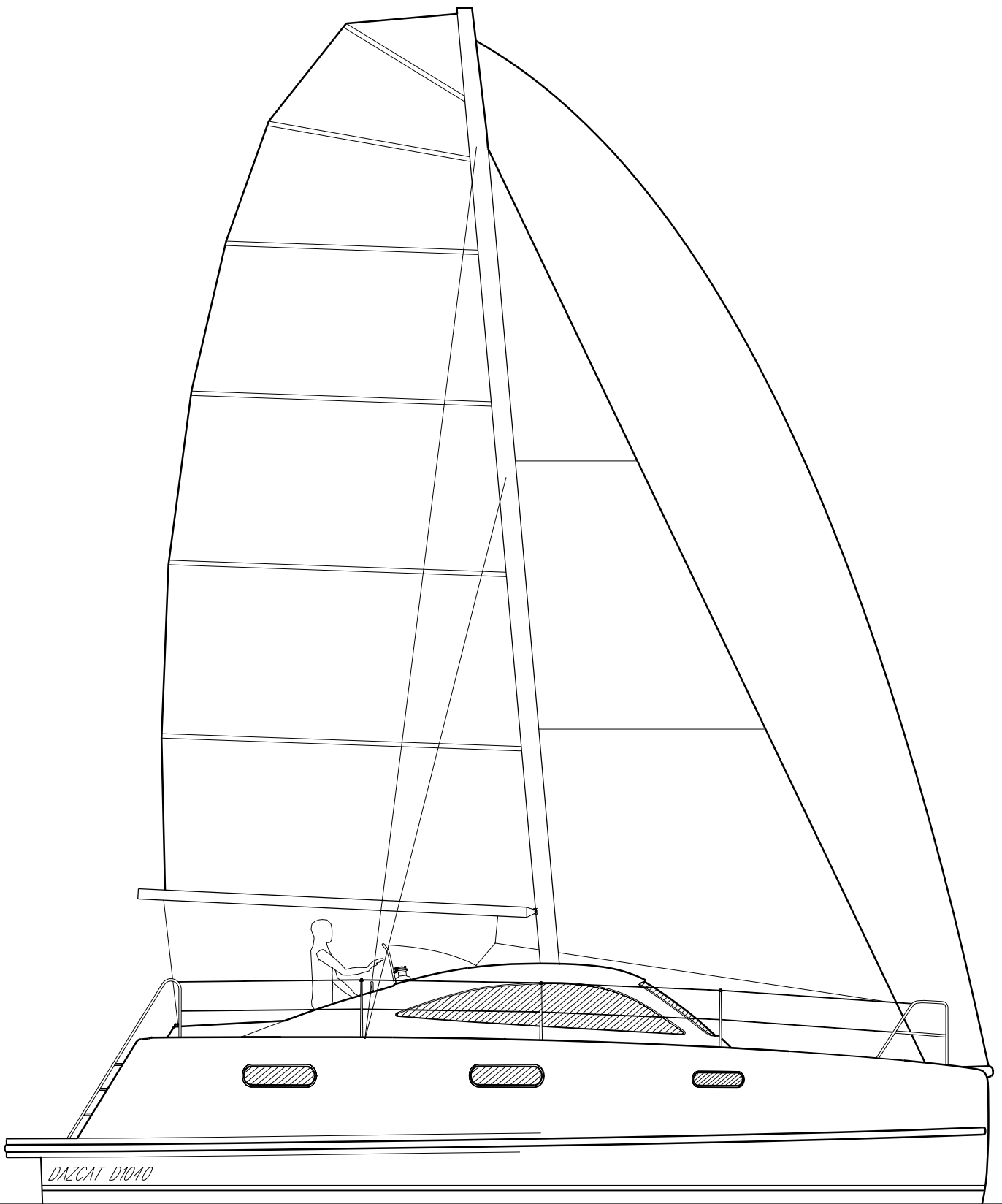
DAZCAT
COPYRIGHT 2004

FOSS QUARRY MILLBROOK TORPOINT
CORNWALL PL10 1EN TEL 01752 823129
www.multimarine.co.uk info@multimarine.co.uk

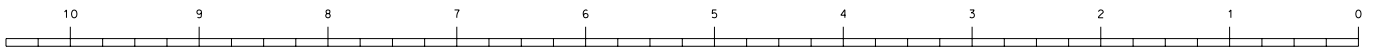
SCALE NTS
DWG NO 03
DRAWN DR

PROJECT DAZCAT D1040 CATAMARAN
DATE 1/11/04
DRAWING DECK PLAN

LENGTH 10.43M
BEAM C/L
BEAM OA 4.5M



DAZCAT D1040



DAZCAT
COPYRIGHT 2004

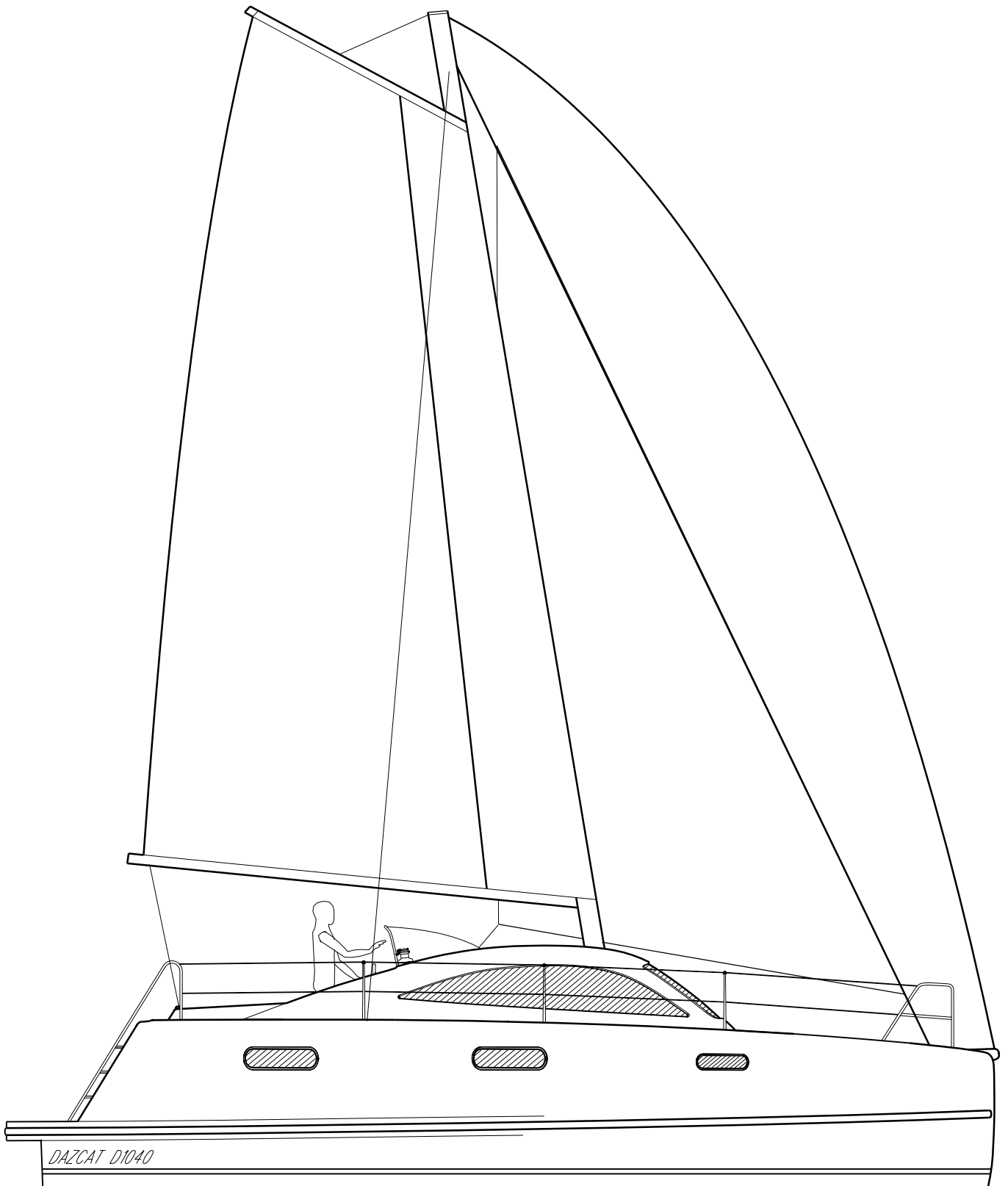
FOSS QUARRY MILLBROOK TORPOINT
CORNWALL PL10 1EN TEL 01752 823129
www.multimarine.co.uk info@multimarine.co.uk

SCALE NTS
DWG NO 01
DRAWN DR

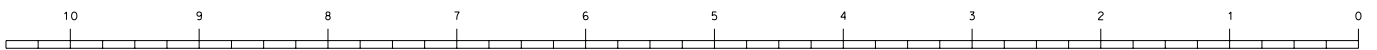
PROJECT DAZCAT D1040 CATAMARAN
DATE 1/11/04
DRAWING PROFILE & RIG

LENGTH 10.43M
BEAM C/L 3.1M
BEAM OA 4.5M

MAINSAIL 29.12M²
SPINNAKER 41.97M²
GENOA 17.98M²



DAZCAT D1040



DAZCAT
COPYRIGHT 2004

FOSS QUARRY MILLBROOK TORPOINT
 CORNWALL PL10 1EN TEL 01752 823129
 www.multimarine.co.uk info@multimarine.co.uk

SCALE NTS
 DWG NO 01
 DRAWN DR

PROJECT DAZCAT D1040 CATAMARAN
 DATE 1/11/04
 DRAWING PROFILE & RIG2

LENGTH 10.43M
 BEAM C/L
 BEAM OA 4.5M