

DAZCAT
COPYRIGHT 2005

FOSS QUARRY MILLBROOK TORPOINT
CORNWALL PL10 1EN TEL 01752 823129
www.multimarine.co.uk info@multimarine.co.uk

SCALE NTS
DWG NO
DRAWN DR

PROJECT DATE DRAWING
DAZCAT 14M CATAMARAN
20/12/04
GENERAL ARRANGEMENT - SAIL PLAN

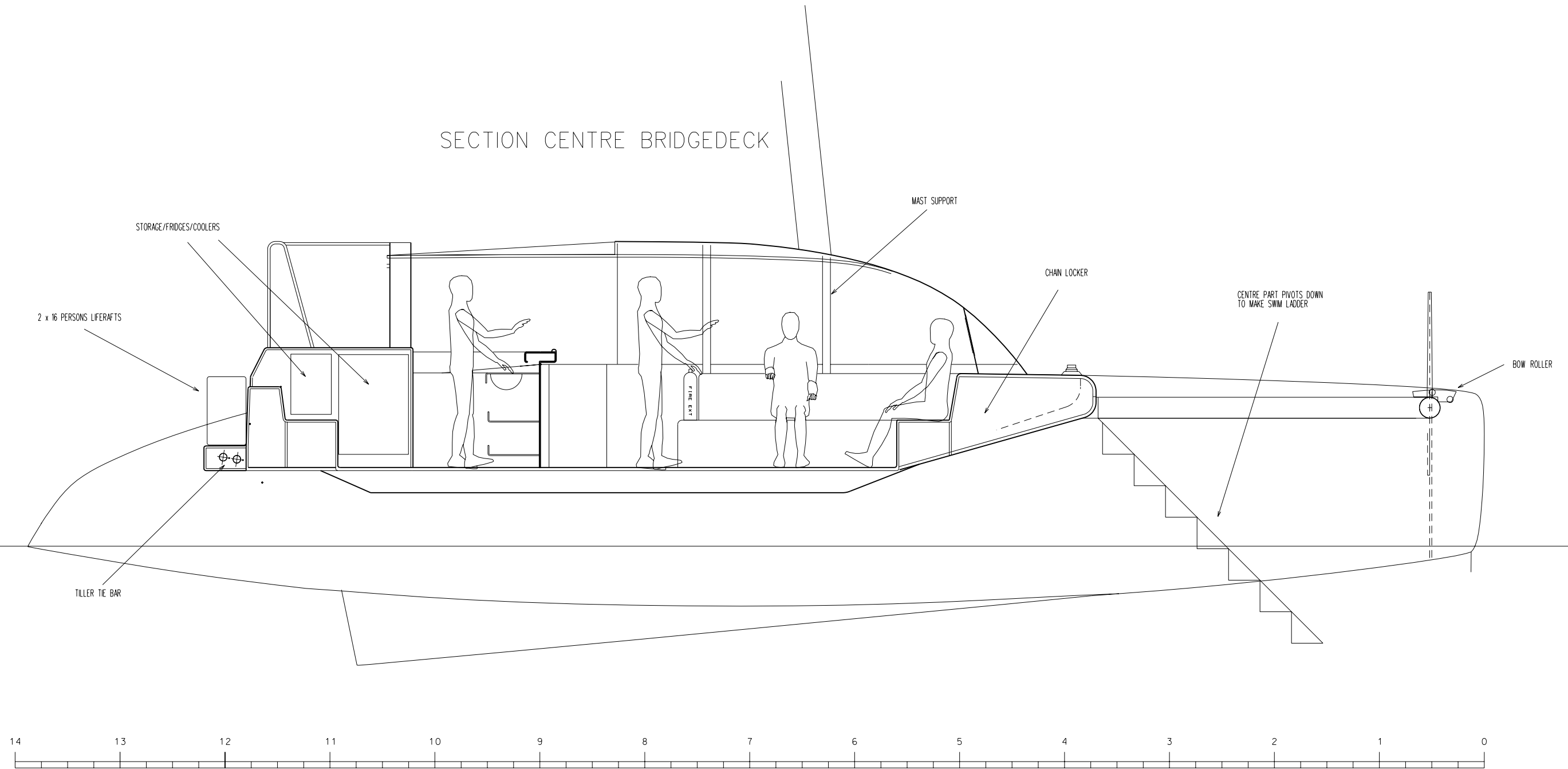
LENGTH 14.00m
BEAM C/L 6.20m
BEAM OA 8.22m

MAINSAIL 60.78m2
GENOA 39.36m2

DISPLACEMENT 10000KG
(33 PERS FULL TANKS)

REVISION C 11/02/05

SECTION CENTRE BRIDGEDECK



DAZCAT
COPYRIGHT 2005

FOSS QUARRY MILLBROOK TORPOINT
CORNWALL PL10 1EN TEL 01752 823129
www.multimarine.co.uk info@multimarine.co.uk

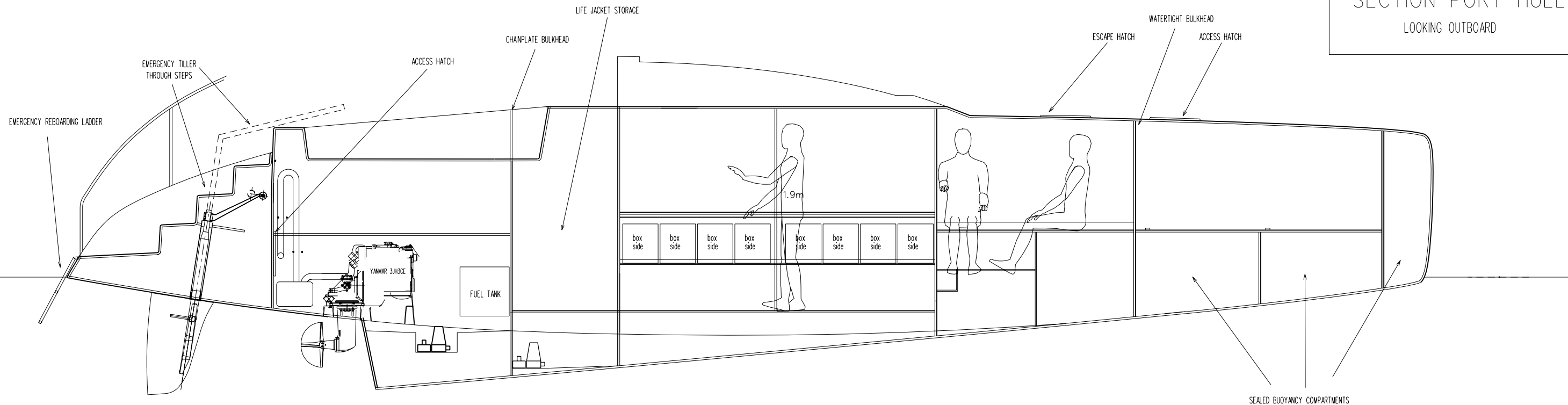
SCALE NTS
DWG NO
DRAWN DR

PROJECT DATE DRAWING
DAZCAT 14M CATAMARAN
20/12/04
LONG SECTION BRIDGEDECK

LENGTH BEAM C/L BEAM OA
14.00m
6.20m
8.22m

REVISION C 11/02/05

SECTION PORT HULL
LOOKING OUTBOARD

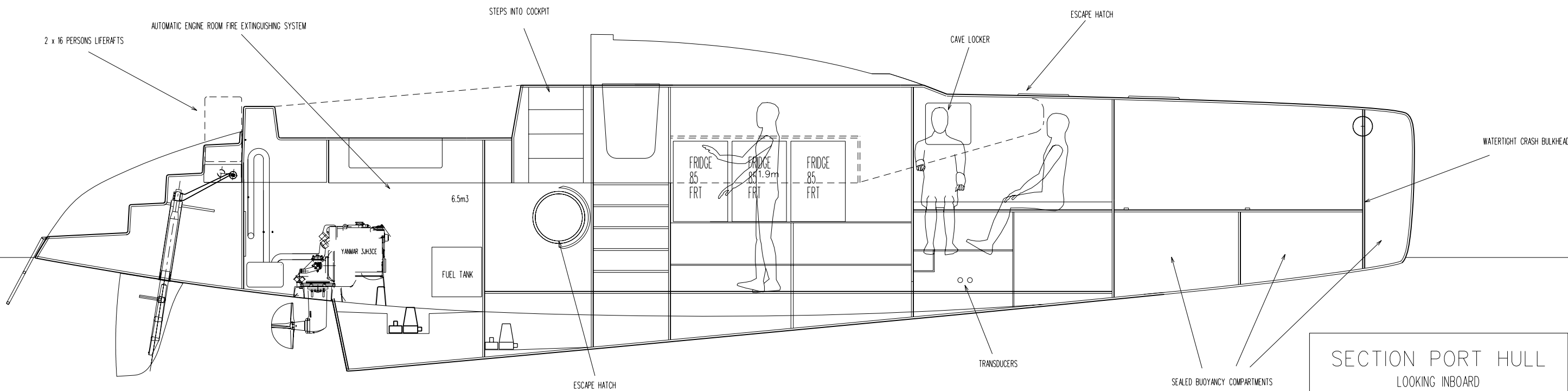


SEALED BUOYANCY COMPARTMENTS

2 x 16 PERSONS LIFERAFTS
AUTOMATIC ENGINE ROOM FIRE EXTINGUISHING SYSTEM

STEPS INTO COCKPIT

ESCAPE HATCH

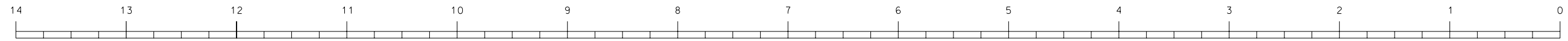


WATERTIGHT CRASH BULKHEAD

TRANSDUCERS

SEALED BUOYANCY COMPARTMENTS

SECTION PORT HULL
LOOKING INBOARD



FOSS QUARRY MILLBROOK TORPOINT
CORNWALL PL10 1EN TEL 01752 823129
www.multimarine.co.uk info@multimarine.co.uk

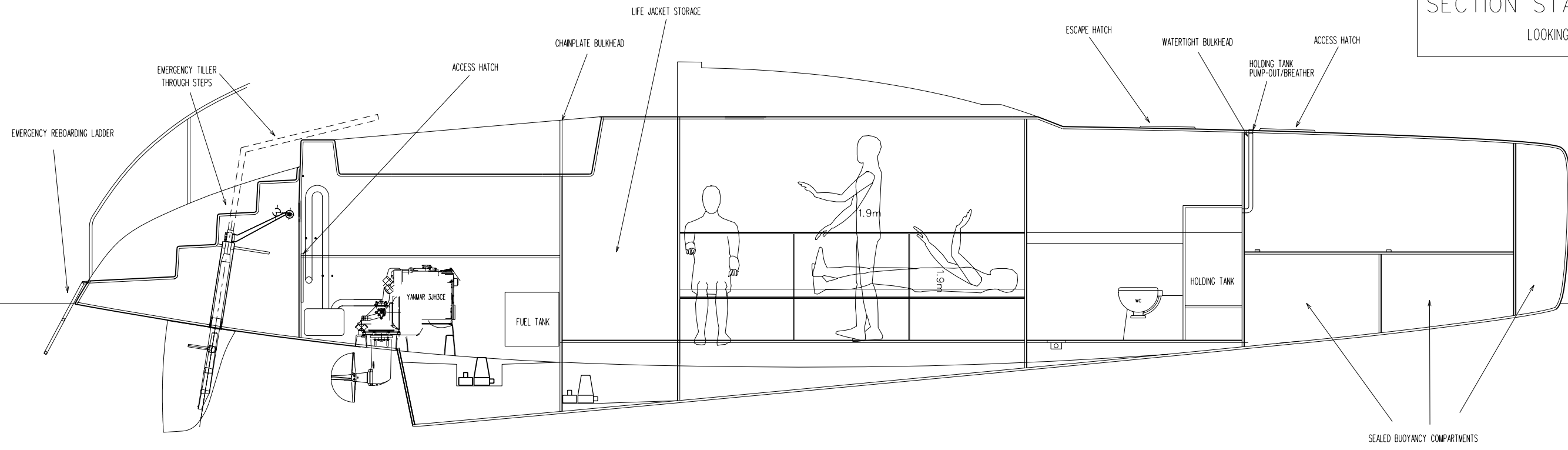
SCALE NTS
DWG NO
DRAWN DR

PROJECT DATE DRAWING
DAZCAT 14M CATAMARAN
24/12/04
LONG SECTIONS

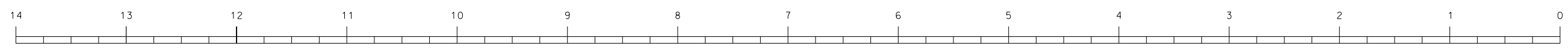
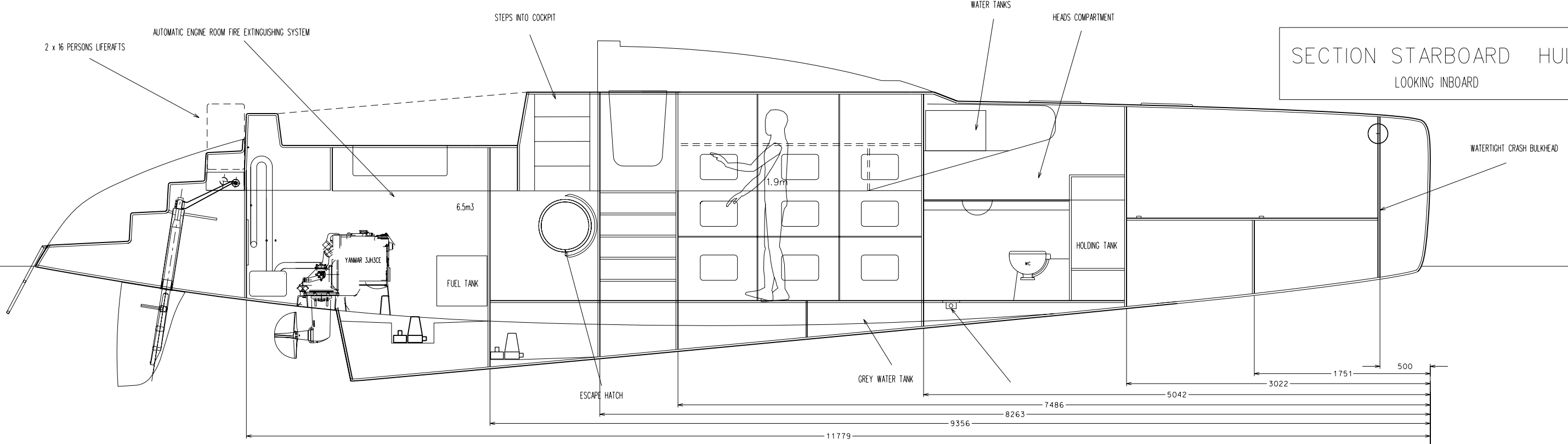
LENGTH 14.00m
BEAM C/L 6.20m
BEAM OA 8.22m

REVISION C 11/02/05

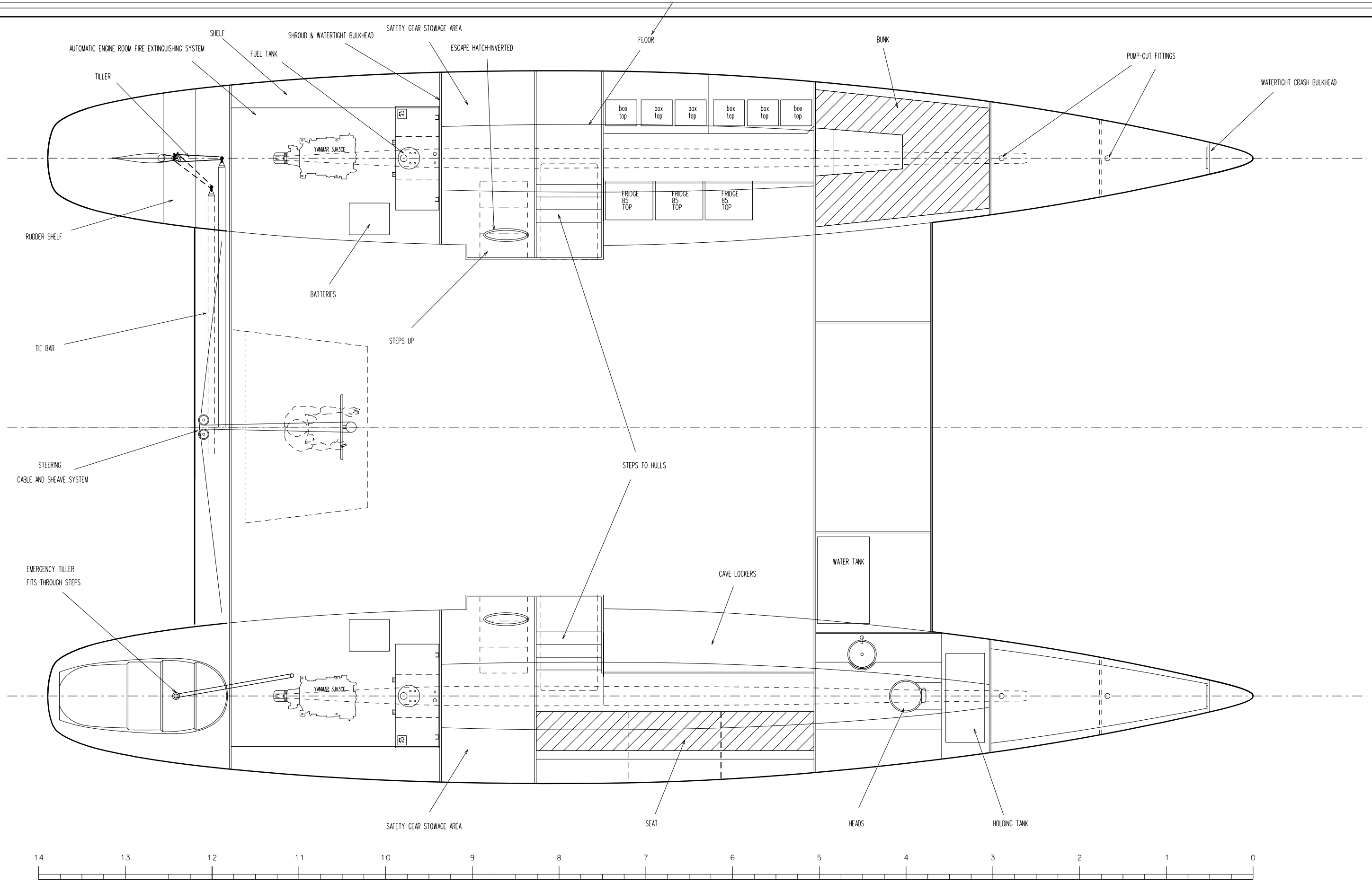
SECTION STARBOARD HULL
LOOKING OUTBOARD



SECTION STARBOARD HULL
LOOKING INBOARD



| | | | | | |
|----------------------------------|--|---------------------------------|--|--|---------------------|
| <p>DAZCAT COPYRIGHT 2005</p> | FOSS QUARRY MILLBROOK TORPOINT CORNWALL PL10 1EN TEL 01752 823129 www.multimarine.co.uk info@multimarine.co.uk | SCALE NTS DWG NO DRAWN DR | PROJECT DAZCAT 14M CATAMARAN DATE 24/12/04 DRAWING LONG SECTIONS | LENGTH 14.00m BEAM C/L 6.20m BEAM OA 8.22m | REVISION C 11/02/05 |
| | (Empty space for additional notes or signatures) | | | | |



DAZCAT
 COPYRIGHT 2005

FOSS QUARRY MILLBROOK TORPOINT
 CORNWALL PL10 1EN TEL 01752 823129
 www.multimarine.co.uk info@multimarine.co.uk

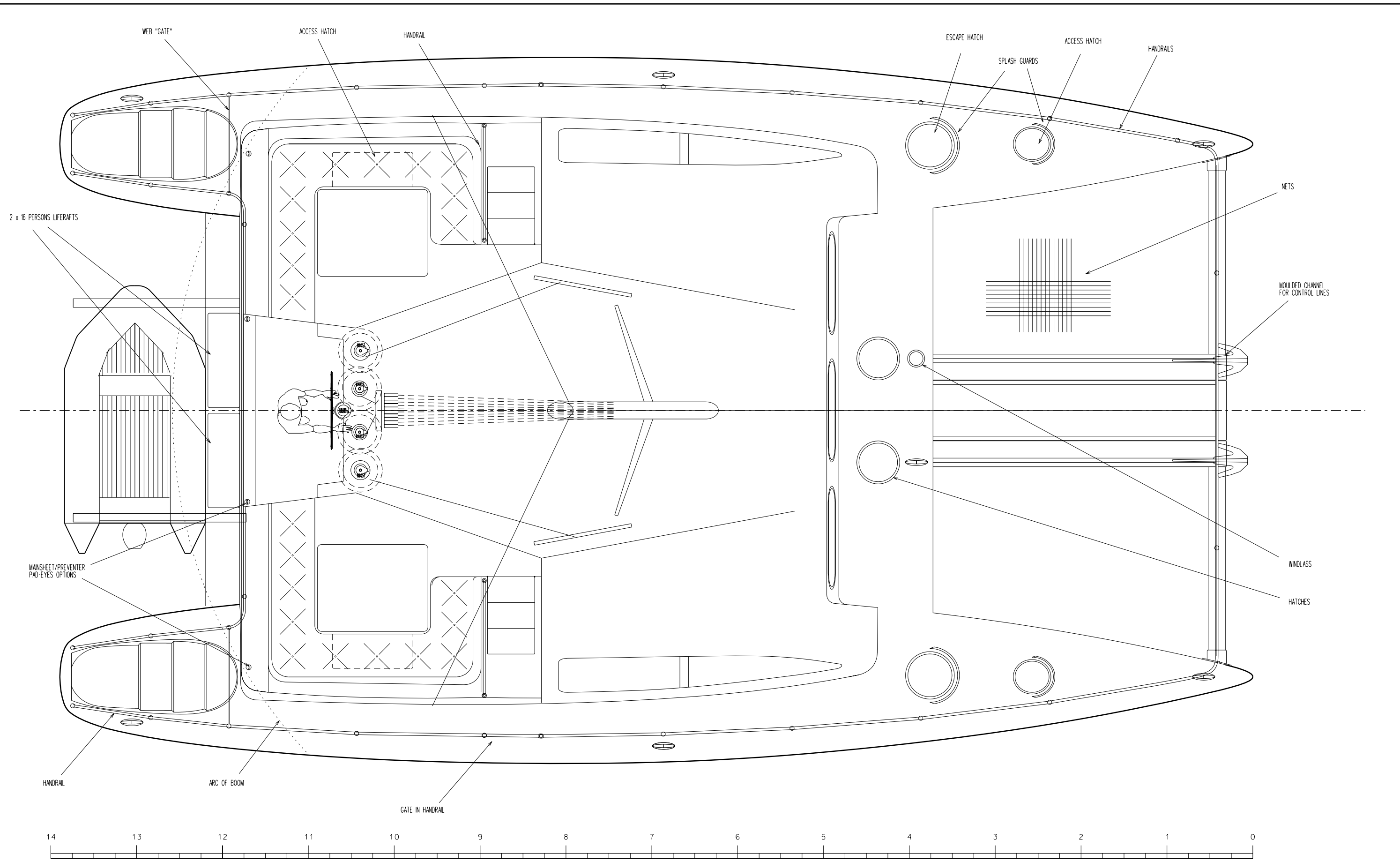
SCALE NTS
 DWG NO
 DRAWN DR

PROJECT DATE
 DRAWING

DAZCAT 14M CATAMARAN
 24/12/04
 HULL INTERIOR PLAN

LENGTH 14.00m
 BEAM C/L 6.20m
 BEAM OA 8.22m

REVISION C 11/02/05



DAZCAT
COPYRIGHT 2005

FOSS QUARRY MILLBROOK TORPOINT
 CORNWALL PL10 1EN TEL 01752 823129
 www.multimarine.co.uk info@multimarine.co.uk

SCALE NTS
 DWG NO
 DRAWN DR

PROJECT DATE DRAWING
 DAZCAT 14M CATAMARAN
 14/12/04
 DECK PLAN

LENGTH 14.00m
 BEAM C/L 6.20m
 BEAM OA 8.22m

REVISION C 11/02/05