

DAZCAT
COPYRIGHT 2006

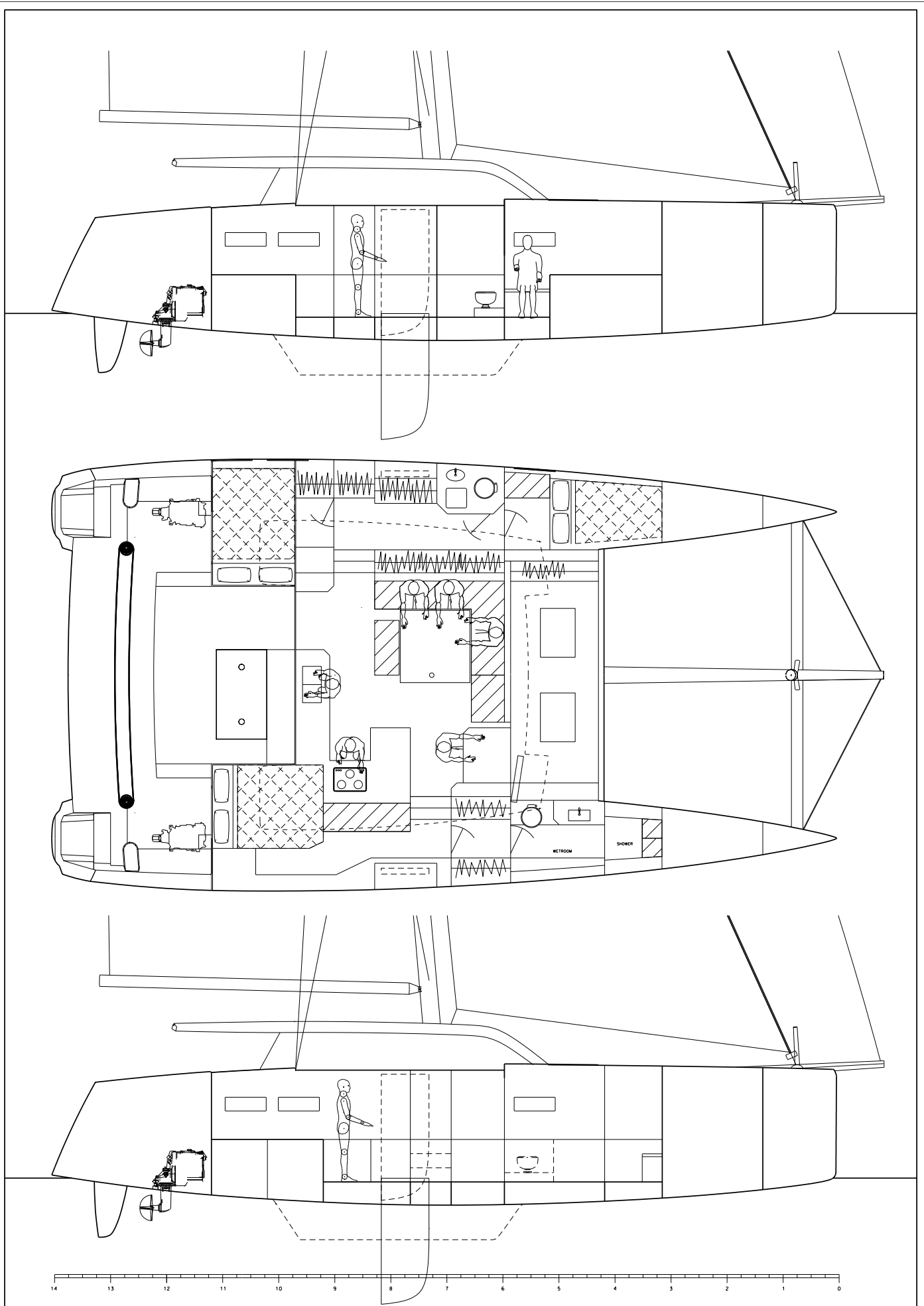
FOSS QUARRY MILLBROOK TORPOINT
CORNWALL PL10 1EN TEL 01752 823129
www.multimarine.co.uk info@multimarine.co.uk

SCALE 1:600A3
DWG NO 01
DRAWN DR

PROJECT DAZCAT S047 CATAMARAN
DATE 10/9/08
REVISED

DRAWING PROFILE

LENGTH 14.00m
BEAM OA 7.67M
BEAM C/L 7.67m



DAZCAT
 COPYRIGHT 2006

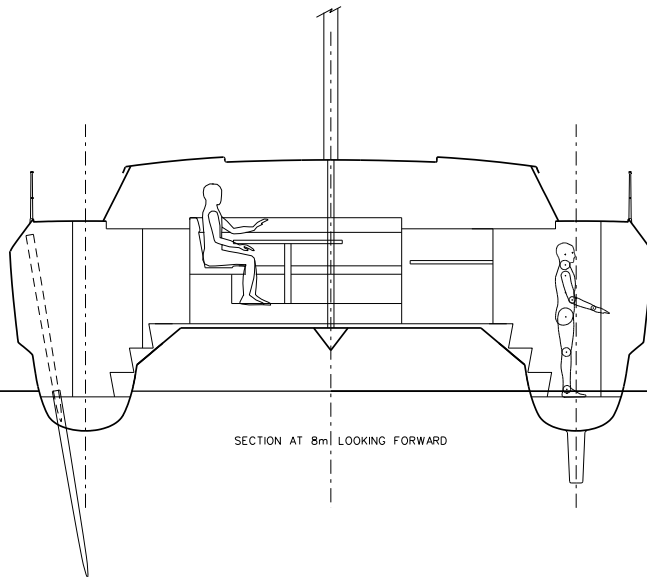
FOSS QUARRY MILLBROOK TORPOINT
 CORNWALL PL10 1EN TEL 01752 823129
 www.multimarine.co.uk info@multimarine.co.uk

SCALE 1:600A3
 DWG NO 02
 DRAWN DR

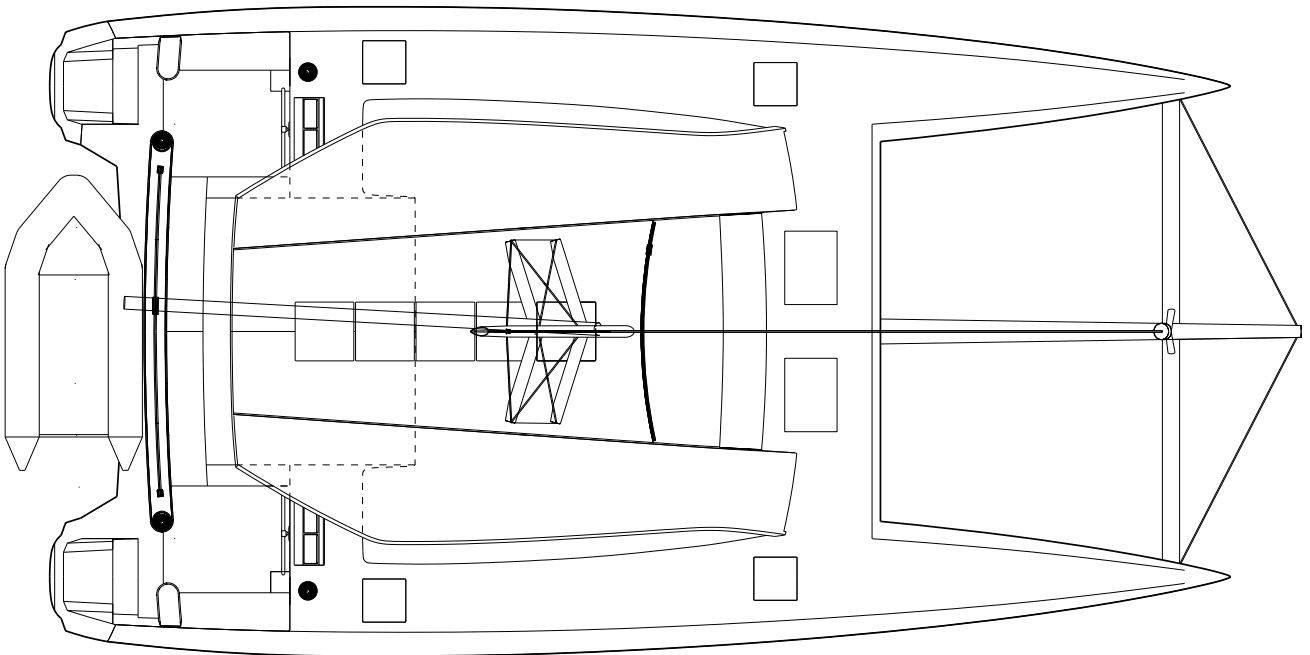
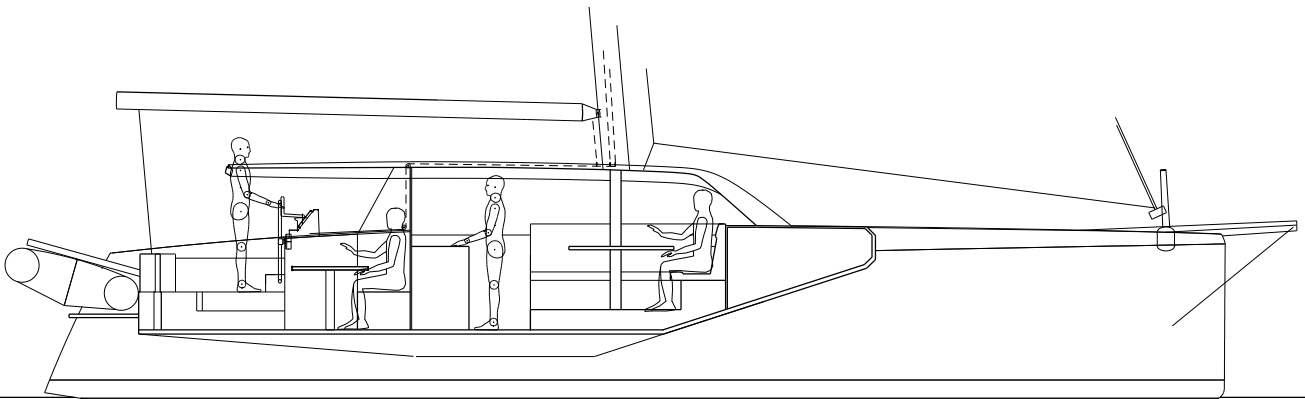
PROJECT DATE
 DATE REVISED

DAZCAT S047 CATAMARAN
 10/9/08

DRAWING PLAN INTERIOR - HULL LONG SECTIONS



SECTION AT 8m LOOKING FORWARD



DAZCAT
COPYRIGHT 2006

FOSS QUARRY MILLBROOK TORPOINT
CORNWALL PL10 1EN TEL 01752 823129
www.multimarine.co.uk info@multimarine.co.uk

SCALE 1:600A3
DWG NO 03
DRAWN DR

PROJECT DAZCAT S047 CATAMARAN
DATE 10/9/08
REVISED

DRAWING DECK PLAN - LONG SECTION CENTRE - 8m SECTION